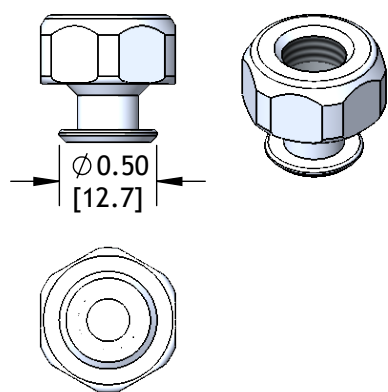


### Ø 40 mm Cups - Female



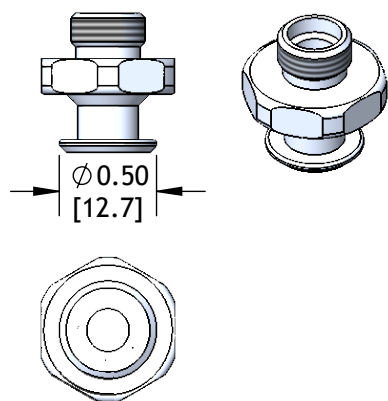
#### Technical Data

| Fitting | Assembly Suffix | Weight oz [g] | PE Filter | SS Filter |
|---------|-----------------|---------------|-----------|-----------|
| 40-6F   | -6F             | 0.38 [10.8]   | N/A       | N/A       |
| 40-8F   | -8F             | 0.34 [9.6]    | N/A       | N/A       |
| 40-18F  | -18F            | 0.20 [5.7]    | FD339     | FS350     |
| 40-38F  | -38F            | 0.46 [13.2]   | N/A       | N/A       |
| 40-G14F | -G14F           | 0.26 [7.3]    | N/A       | FS500     |

#### Dimensions

| Fitting | Hex Height in [mm] | Hex Size in [mm] | Thru Hole in [mm] | Thread     | Thread Depth in [mm] |
|---------|--------------------|------------------|-------------------|------------|----------------------|
| 40-6F   | 0.55 [14.0]        | 0.69 [17.5]      | 0.14 [3.6]        | M6X1.0     | 0.25 [6.4]           |
| 40-8F   | 0.55 [14.0]        | 0.69 [17.5]      | 0.14 [3.6]        | M8X1.25    | 0.32 [8.1]           |
| 40-18F  | 0.35 [8.8]         | 0.69 [17.5]      | 0.22 [5.6]        | G 1/8 NPSF | 0.25 [6.4]           |
| 40-38F  | 0.70 [17.8]        | 0.88 [22.2]      | 0.22 [5.6]        | 3/8 NPTF   | 0.55 [14.0]          |
| 40-G14F | 0.63 [15.9]        | 0.75 [19.0]      | 0.22 [5.6]        | G 1/4      | 0.45 [11.4]          |

### Ø 40 mm Cups - Male



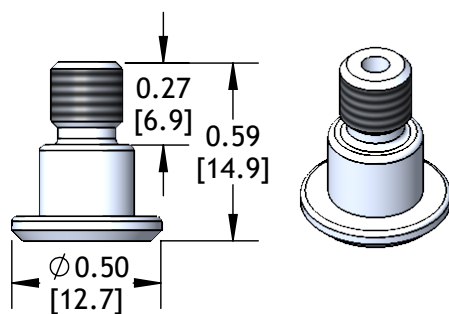
#### Technical Data

| Fitting | Assembly Suffix | Weight oz [g] | PE Filter | SS Filter |
|---------|-----------------|---------------|-----------|-----------|
| 40-6M   | -6M             | 0.38 [10.8]   | N/A       | N/A       |
| 40-8M   | -8M             | 0.19 [5.4]    | N/A       | N/A       |
| 40-18M  | -18M            | 0.16 [4.5]    | N/A       | FS285     |
| 40-14M  | -14M            | 0.19 [5.4]    | N/A       | FS350     |
| 40-38M  | -38M            | 0.27 [7.7]    | N/A       | FS350     |
| 40-G14M | -G14M           | 0.21 [5.9]    | N/A       | FS350     |
| 40-G38M | -G38M           | 0.27 [7.7]    | N/A       | FS350     |

#### Dimensions

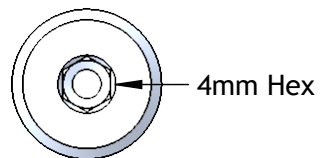
| Fitting | Hex Height in [mm] | Hex Size in [mm] | Thru Hole in [mm] | Thread     | Thread Length in [mm] |
|---------|--------------------|------------------|-------------------|------------|-----------------------|
| 40-6M   | 0.20 [5.1]         | 0.69 [17.5]      | 0.14 [3.6]        | M6X1.0     | 0.32 [8.1]            |
| 40-8M   | 0.20 [5.1]         | 0.69 [17.5]      | 0.14 [3.6]        | M8X1.25    | 0.32 [8.1]            |
| 40-18M  | 0.19 [4.9]         | 0.69 [17.5]      | 0.22 [5.6]        | G 1/8 NPSF | 0.23 [5.9]            |
| 40-14M  | 0.20 [5.1]         | 0.69 [17.5]      | 0.22 [5.6]        | 1/4 NPT    | 0.36 [9.0]            |
| 40-38M  | 0.20 [5.1]         | 0.75 [19.0]      | 0.22 [5.6]        | 3/8 NPT    | 0.36 [9.0]            |
| 40-G14M | 0.20 [5.1]         | 0.69 [17.5]      | 0.22 [5.6]        | G 1/4      | 0.36 [9.0]            |
| 40-G38M | 0.20 [5.1]         | 0.75 [19.0]      | 0.22 [5.6]        | G 3/8      | 0.36 [9.0]            |

### Ø 40 mm Cups - Male Stud

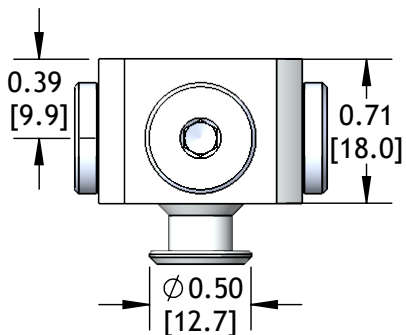
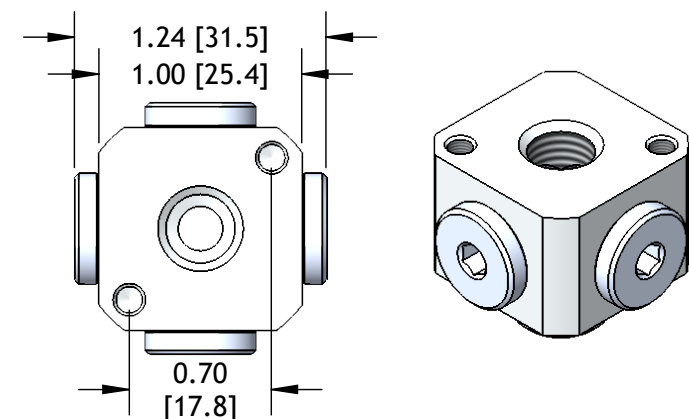


#### 40-6MS

|                    |            |
|--------------------|------------|
| Assembly Suffix:   | -6MS       |
| Thread:            | M6X1.0     |
| Weight: oz [g]     | 0.07 [1.9] |
| Thru Hole: in [mm] | 0.09 [2.4] |
| PE Filter:         | N/A        |
| SS Filter:         | N/A        |

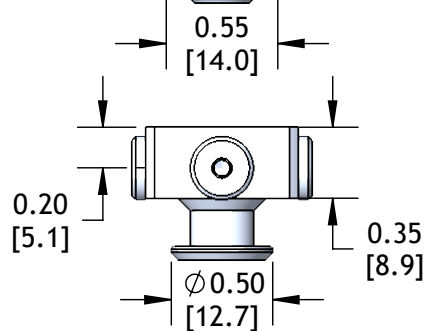
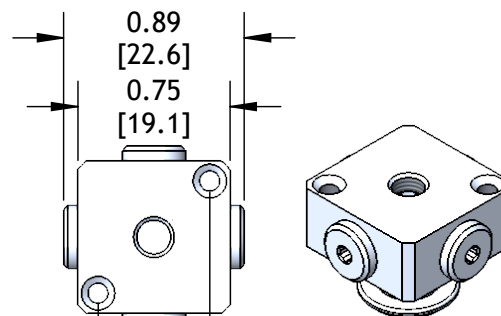


### Ø 40 mm Cups - Cross Fittings



#### 40-5X18F

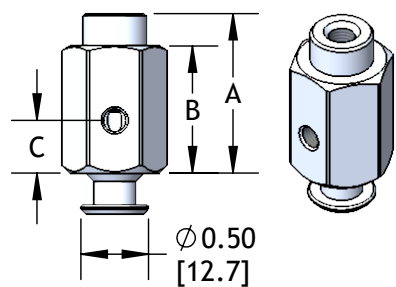
|                    |                |
|--------------------|----------------|
| Assembly Suffix:   | -5X18F         |
| Threads:           | G 1/8 NPSF (5) |
| Mount Threads:     | M4X0.7 (2)     |
| Weight: oz [g]     | 1.00 [28.3]    |
| Thru Hole: in [mm] | 0.22 [5.6]     |
| PE Filter:         | N/A            |
| SS Filter:         | N/A            |



#### 40-5X5F

|                    |            |
|--------------------|------------|
| Assembly Suffix:   | -5X5F      |
| Threads:           | M5X0.8 (5) |
| Mount Threads:     | M3X0.5 (2) |
| Weight: oz [g]     | 0.32 [9.0] |
| Thru Hole: in [mm] | 0.16 [4.1] |
| PE Filter:         | N/A        |
| SS Filter:         | N/A        |

### Ø 40 mm Cups - M5 Female Side Vacuum w/ Female Port



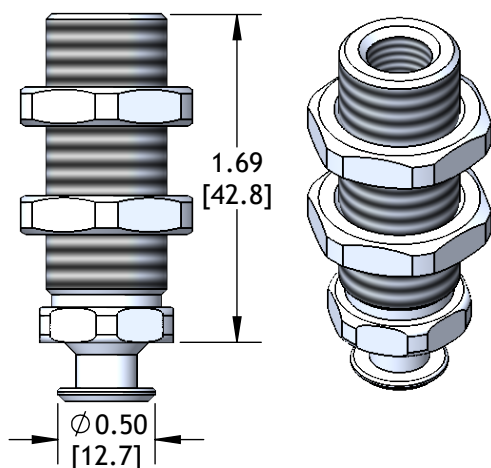
#### Technical Data

| Fitting   | Assembly Suffix | Weight oz [g] | Hex Size in [mm] | PE Filter | SS Filter |
|-----------|-----------------|---------------|------------------|-----------|-----------|
| 40-S5F-6F | -S5F-6F         | 0.69 [19.6]   | 0.69 [17.5]      | N/A       | N/A       |
| 40-S5F-8F | -S5F-8F         | 0.63 [17.9]   | 0.69 [17.5]      | N/A       | N/A       |

#### Dimensions

| Fitting   | A in [mm]   | B in [mm]   | C in [mm]  | Mount Thread | Thread Depth in [mm] |
|-----------|-------------|-------------|------------|--------------|----------------------|
| 40-S5F-6F | 1.18 [30.0] | 0.94 [23.9] | 0.39 [9.9] | M6X1.0       | 0.25 [6.3]           |
| 40-S5F-8F | 1.18 [30.0] | 0.87 [22.0] | 0.39 [9.9] | M8X1.25      | 0.32 [8.1]           |

### Ø 40 mm Cups - Tool Mount

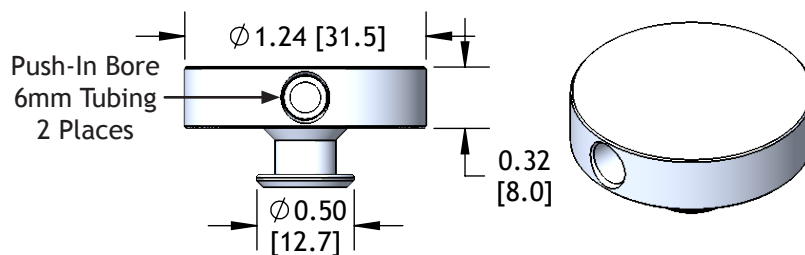


#### 40-18FX40

|                       |             |
|-----------------------|-------------|
| Assembly Suffix:      | -18FX40     |
| Female Threads:       | G 1/8 NPSF  |
| Thread Depth: in [mm] | 0.38 [9.7]  |
| Post Threads:         | M16X1.0     |
| Hex Size: in [mm]     | 0.69 [17.5] |
| Hex Height: in [mm]   | 0.18 [4.6]  |
| Weight: oz [g]        | 0.80 [22.7] |
| Thru Hole: in [mm]    | 0.22 [5.5]  |
| PE Filter:            | FD339       |
| SS Filter:            | FS350       |

JN-M16X1 - Jam Nut - 2 Included

### Ø 40 mm Cups - Die Cutting



#### 40-DC125X31

|                    |             |
|--------------------|-------------|
| Assembly Suffix:   | -DC125X31   |
| Weight: oz [g]     | 0.58 [16.3] |
| Thru Hole: in [mm] | 0.16 [4.0]  |
| PE Filter:         | N/A         |
| SS Filter:         | N/A         |