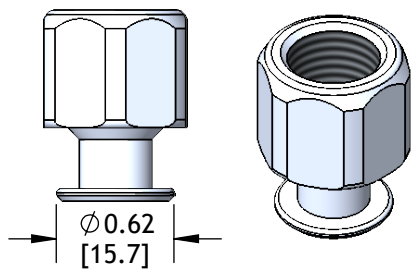


Ø 50 mm Cups - Female



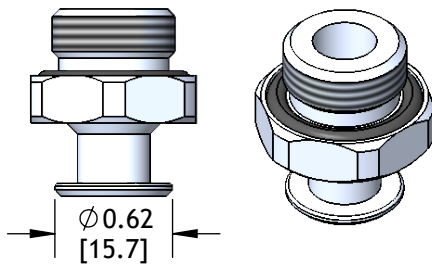
Technical Data

Fitting	Assembly Suffix	Weight oz [g]	PE Filter	SS Filter
50-6F	-6F	0.42 [11.9]	N/A	N/A
50-8F	-8F	0.38 [10.8]	N/A	N/A
50-18F	-18F	0.23 [6.5]	FD339	FS350
50-14F	-14F	0.36 [10.2]	FD500	FS500
50-38F	-38F	0.51 [14.5]	N/A	N/A
50-G14F	-G14F	0.37 [10.5]	FD500	FS500

Dimensions

Fitting	Hex Height in [mm]	Hex Size in [mm]	Thru Hole in [mm]	Thread	Thread Depth in [mm]
50-6F	0.55 [14.0]	0.69 [17.5]	0.14 [3.6]	M6X1.0	0.25 [6.4]
50-8F	0.55 [14.0]	0.69 [17.5]	0.14 [3.6]	M8X1.25	0.32 [8.1]
50-18F	0.35 [8.8]	0.69 [17.5]	0.22 [5.6]	G 1/8 NPSF	0.25 [6.4]
50-14F	0.62 [15.6]	0.75 [19.0]	0.22 [5.6]	1/4 NPTF	0.40 [10.0]
50-38F	0.70 [17.8]	0.88 [22.2]	0.22 [5.6]	3/8 NPSF	0.45 [11.4]
50-G14F	0.63 [15.9]	0.75 [19.0]	0.22 [5.6]	G 1/4	0.45 [11.4]

Ø 50 mm Cups - Male



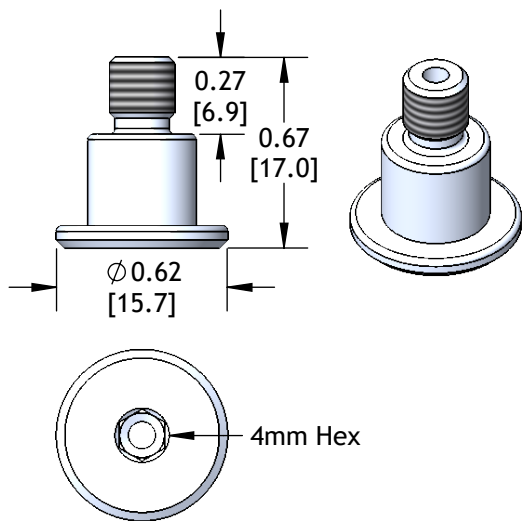
Technical Data

Fitting	Assembly Suffix	Weight oz [g]	PE Filter	SS Filter
50-6M	-6M	0.23 [6.5]	N/A	N/A
50-8M	-8M	0.23 [6.5]	N/A	N/A
50-18M	-18M	0.20 [5.7]	N/A	FS285
50-14M	-14M	0.23 [6.5]	N/A	FS350
50-38M	-38M	0.31 [8.8]	N/A	FS350
50-G14M	-G14M	0.25 [7.1]	N/A	FS350
50-G38M	-G38M	0.31 [8.8]	N/A	FS350
50-N18M	-N18M	0.20 [5.7]	N/A	FS285

Dimensions

Fitting	Hex Height in [mm]	Hex Size in [mm]	Thru Hole in [mm]	Thread	Thread Length in [mm]
50-6M	0.20 [5.1]	0.69 [17.5]	0.14 [3.6]	M6X1.0	0.32 [8.1]
50-8M	0.20 [5.1]	0.69 [17.5]	0.14 [3.6]	M8X1.25	0.32 [8.1]
50-18M	0.20 [5.1]	0.69 [17.5]	0.22 [5.6]	G 1/8 NPSF	0.23 [5.9]
50-14M	0.20 [5.1]	0.69 [17.5]	0.22 [5.6]	1/4 NPT	0.35 [9.0]
50-38M	0.20 [5.1]	0.75 [19.0]	0.22 [5.6]	3/8 NPSF	0.35 [9.0]
50-G14M	0.20 [5.1]	0.69 [17.5]	0.22 [5.6]	G 1/4	0.35 [9.0]
50-G38M	0.20 [5.1]	0.75 [19.0]	0.22 [5.6]	G 3/8	0.35 [9.0]
50-N18M	0.20 [5.1]	0.69 [17.5]	0.22 [5.6]	1/8 NPT	0.39 [9.9]

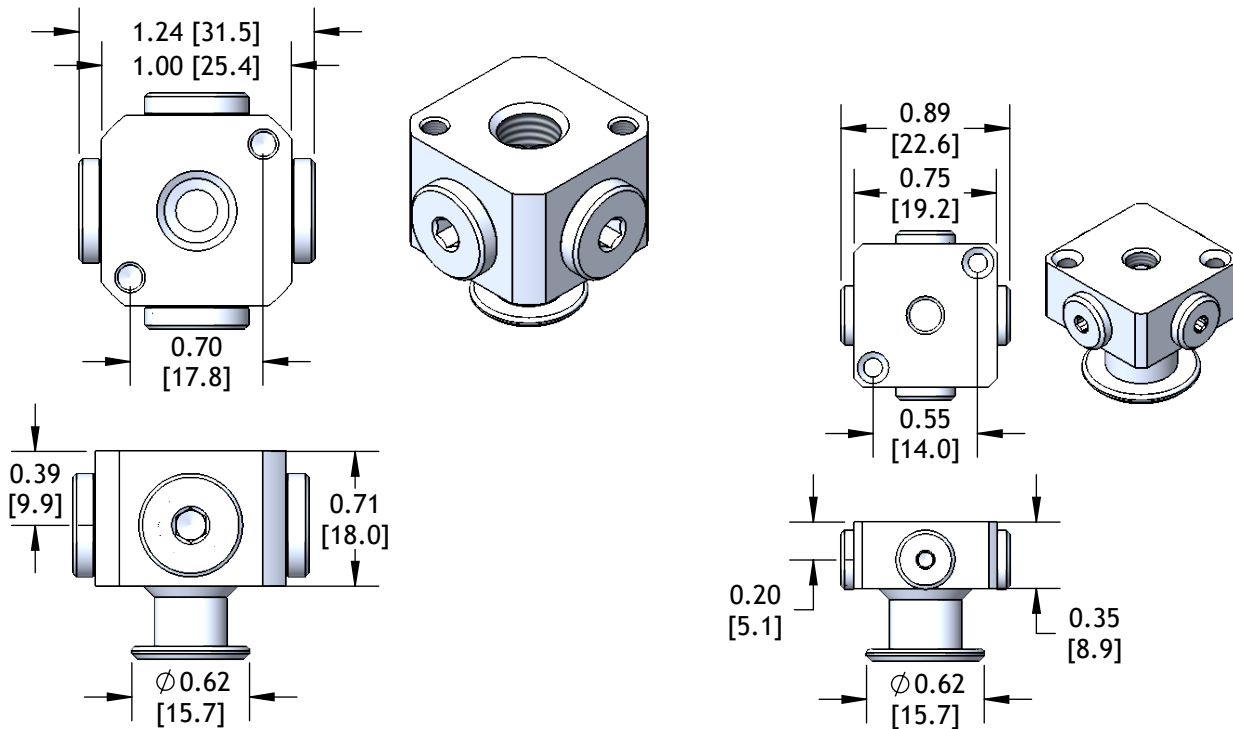
Ø 50 mm Cups - Male Stud



50-6MS

Assembly Suffix:	-6MS
Thread:	M6X1.0
Weight: oz [g]	0.12 [3.4]
Thru Hole: in [mm]	0.02 [2.5]
PE Filter:	N/A
SS Filter:	N/A

Ø 50 mm Cups - Cross Fittings



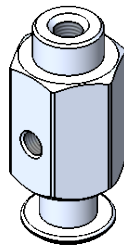
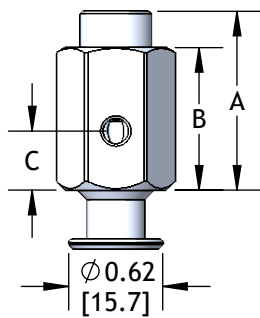
50-5X18F

Assembly Suffix:	-5X18F
Threads:	G 1/8 NPSF (5)
Mount Threads:	M4X0.7 (2)
Weight: oz [g]	1.00 [29.7]
Thru Hole: in [mm]	0.22 [5.6]
PE Filter:	N/A
SS Filter:	N/A

50-5X5F

Assembly Suffix:	-5X5F
Threads:	M5X0.8 (5)
Mount Threads:	M3X0.5 (2)
Weight: oz [g]	0.36 [10.1]
Thru Hole: in [mm]	0.16 [4.1]
PE Filter:	N/A
SS Filter:	N/A

Ø 50 mm Cups - M5 Female Side Vacuum w/ Female Port



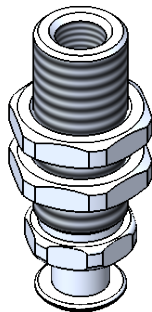
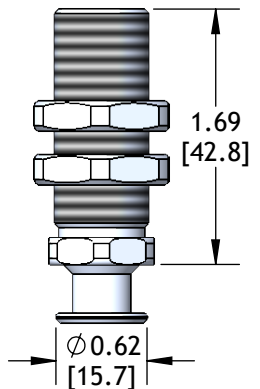
Technical Data

Fitting	Assembly Suffix	Weight oz [g]	Hex Size in [mm]	PE Filter	SS Filter
50-S5F-6F	-S5F-6F	0.74 [21.0]	0.69 [17.5]	N/A	N/A
50-S5F-8F	-S5F-8F	0.68 [19.3]	0.69 [17.5]	N/A	N/A

Dimensions

Fitting	A in [mm]	B in [mm]	C in [mm]	Mount Thread	Thread Depth in [mm]
50-S5F-6F	1.18 [30.0]	0.94 [23.9]	0.39 [9.9]	M6X1.0	0.25 [6.3]
50-S5F-8F	1.18 [30.0]	0.87 [22.0]	0.39 [9.9]	M8X1.25	0.32 [8.1]

Ø 50 mm Cups - Tool Mount



50-18FX40

Assembly Suffix:	-18FX40
Female Threads:	G 1/8 NPSF
Thread Depth: in [mm]	0.38 [9.7]
Post Threads:	M16X1.0
Hex Size: in [mm]	0.69 [17.5]
Hex Height: in [mm]	0.18 [4.6]
Weight: oz [g]	0.83 [23.5]
Thru Hole: in [mm]	0.21 [5.3]
PE Filter:	FD339
SS Filter:	FS350

JN-M16X1 - Jam Nut - 2 Included