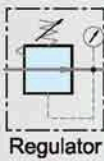


MINIATURE REGULATOR (NR200) ALUMINIUM DIES-CAST DIAPHRAGM STYLE



Symbol



Features

- * Diaphragm design provides more accurate and easier pressure setting.
- * Panel mounting is available.



How to order

NR200

02

N

B

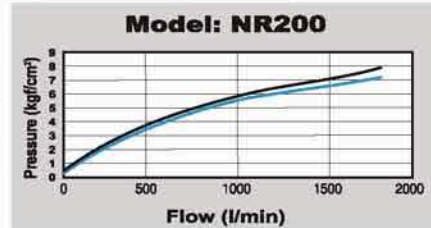
G

NR200	Operating pressure 0.5~8kgf/cm ²	Port size	Thread	Mounting bracket	Pressure gauge
NR200L4	Operating pressure 0~4kgf/cm ²	01 1/8"	Blank PS	Blank W/O bracket	Blank W/O gauge
NR200L2	Operating pressure 0~2 kgf/cm ²	02 1/4"	N NPT	B W/I bracket	G W/I gauge

Specifications

Model	NR200	NR200L4	NR200L2
Port size	1/8", 1/4"		
Fluid	Compressed air		
Regulator construction	Diaphragm		
Body material	Aluminum die-cast		
Operating pressure range	0.5~8 kgf/cm ²	0~4 kgf/cm ²	0~2 kgf/cm ²
Max. inlet pressure	12 kgf/cm ²		
Max. flow rate l/min (6kgf/cm ²)	1500		
Ambient temperature	-10°C ~ 60°C		
Net weight	205g		
Accessories	Plug		

Flow chart

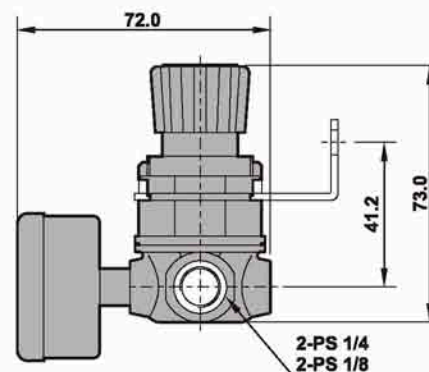
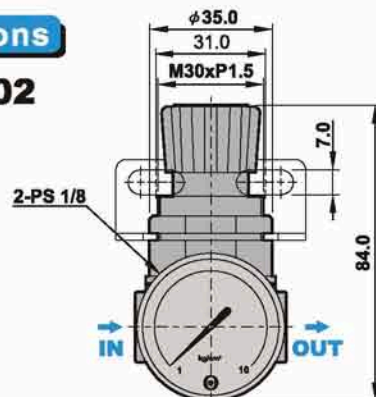


Note:

X axis: Flow
Y axis: Pressure
Blue line (P0) = Outlet pressure
Black line (P1) = Inlet pressure
P1-P0 = Pressure range

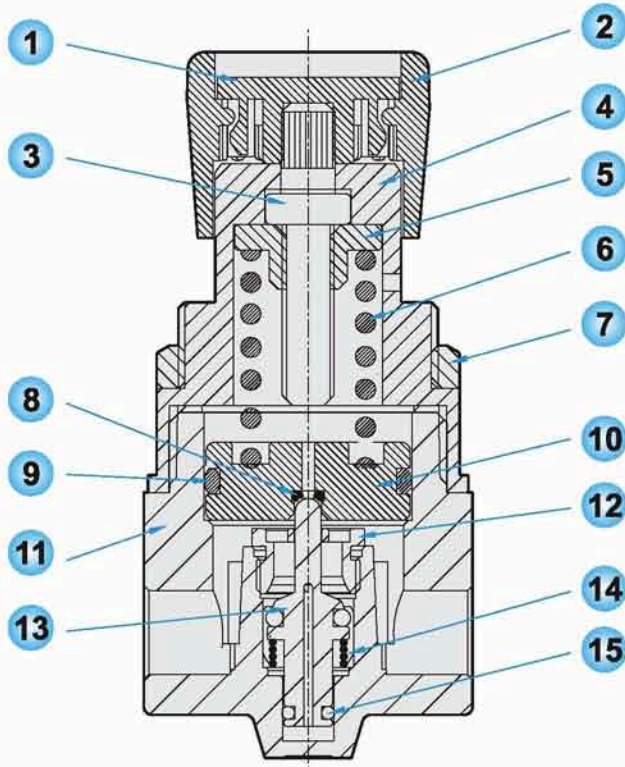
Dimensions

NR200-01, 02



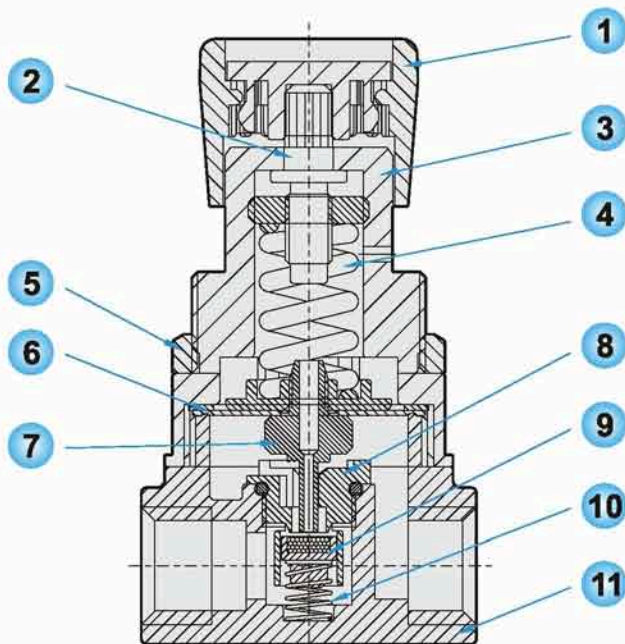
Construction

R200-01, 02



No.	Description	Material
1	Regulator dome	NY
2	Regulator knob	NY
3	Pressure regulating screw	Fe+Ni
4	Regulator base	NY+GF
5	Pressure regulating nut	Cu+Ni
6	Spring	Spring steel
7	Lock nut	NY+GF
8	O-ring	NBR
9	O-ring	NBR
10	Piston	AL
11	Body	ADC12
12	Positioning nut	Cu
13	Regulating needle	Cu
14	Spring	SUS
15	O-ring	NBR

NR200-01, 02



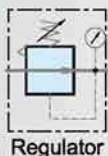
No.	Description	Material
1	Regulator knob	NY
2	Pressure regulating screw	Fe+Ni
3	Regulator base	NY+GF
4	Spring	Spring steel
5	Lock nut	NY+GF
6	Diaphragm	NBR70°
7	Regulating needle	AL
8	Positioning nut	POM
9	Plug	Cu
10	Spring	SUS
11	Body	ADC12

COMPOSITE/ALUMINIUM

STANDARD & LARGE REGULATOR (UR Series) ALUMINIUM DIE-CAST



Symbol



Regulator

Features

- * Accurate and easy pressure setting.
- * Panel mounting is available.

How to order

UR	-	02		N
Regulator		Port size		Thread
02	1/4"	06	3/4"	Blank PS
03	3/8"	08	1"	N NPT
04	1/2"			

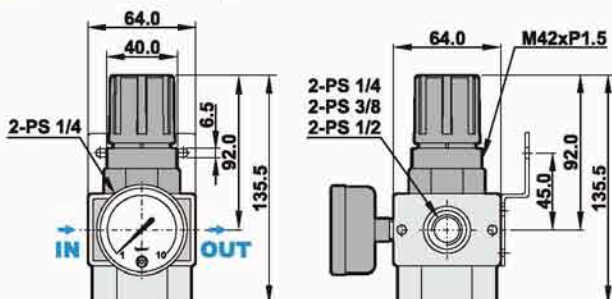


Specifications

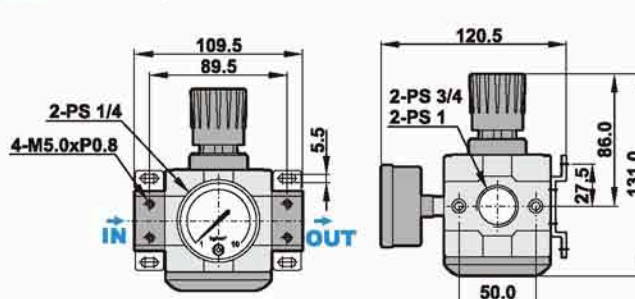
Model	UR-02	UR-03	UR-04	UR-06	UR-08
Port size	1/4"	3/8"	1/2"	3/4"	1"
Fluid	Compressed air				
Regulator construction	Piston				
Body material	Aluminum die-cast				
Operating pressure range	0.5 ~ 10 kgf/cm ²				
Max. inlet pressure	15 kgf/cm ²				
Max. flow rate l/min (6kgf/cm ²)	2100	2130	2750	8000	8500
Ambient temperature	-10°C ~ 60°C				
Net weight	740g	730g	720g	1250g	1240g
Accessories	Pressure gauge, Mounting bracket, Plug, Screw x 4				

Dimensions

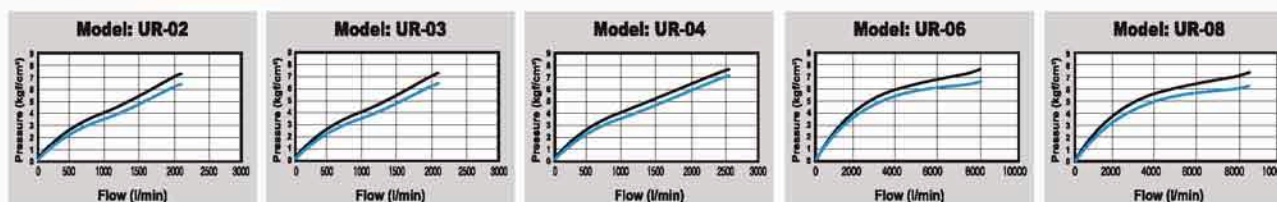
UR-02, 03, 04



UR-06, 08



Flow chart

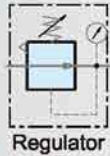


Note: X axis: Flow, Y axis: Pressure, Blue line (P0) = Outlet pressure, Black line (P1) = Inlet pressure, P1-P0 = Pressure range

EXTRA LARGE REGULATOR 1 1/2", 2" (UR Series) ALUMINIUM ALLOY



Symbol



Regulator

Features

- * Large flow rate (Max. 30000 l/min)
- * Aluminum alloy body, light weight.
- * Pilot regulator is available for remote control.

How to order

UR	
UR	Regulator
UAR	Pilot regulator

20	
Port size	
14	1 1/2"
20	2"

N	
Thread	
Blank	PS
N	NPT

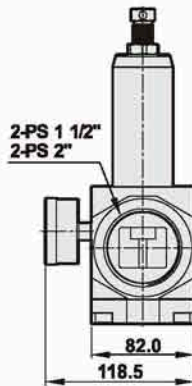
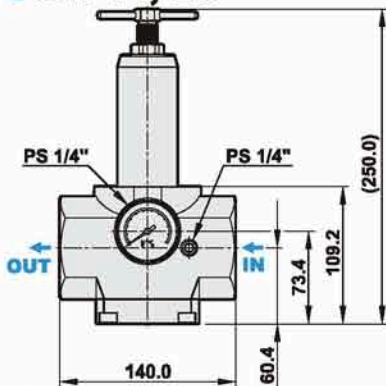


Specifications

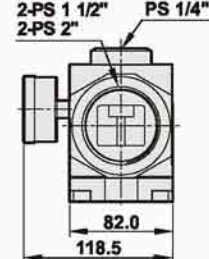
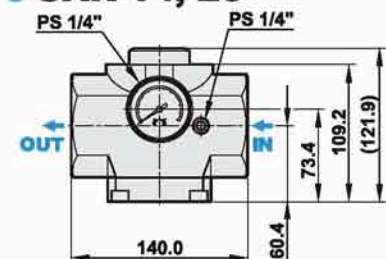
Model	UR-14	UR-20	UAR-14	UAR-20
Port size	1 1/2"	2"	1 1/2"	2"
Fluid	Compressed air			
Regulator construction	Piston			
Operating pressure range	0 ~ 8 kgf/cm ²			
Max. operating pressure	10 kgf/cm ²			
Max. flow rate l/min (6kgf/cm ²)	30000 l/min (input 7 kgf/cm ² output 6 kgf/cm ²)			
Ambient temperature	-10°C ~ 60°C			
Net weight	2.8 kg	2.5 kg	2.2 kg	2.0 kg
Accessories	Pressure gauge, plug			

Dimensions

UR-14, 20



UAR-14, 20



Installation

